

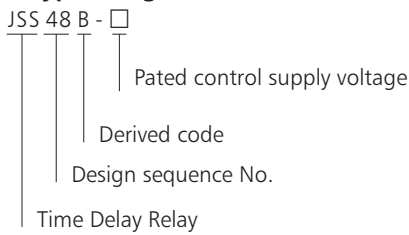


## JSS48B Time Delay Relay

### 1. General

JSS48B Time Delay Relay is applicable for controlling circuit @ A.C. 50Hz/60Hz, up to 380V rated supply voltage and up to D.C. 240V rated supply voltage as delay element to make or break circuit according to preset time.

### 2. Type designation



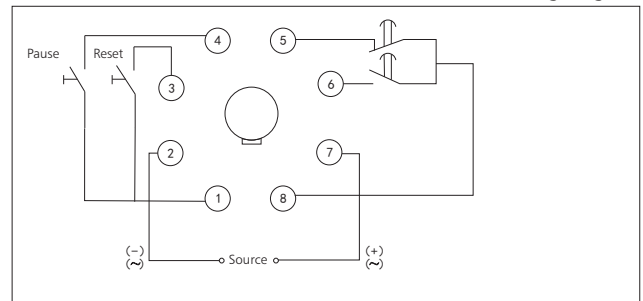
Note: this product is applicable for wide range operating voltage, for instance, operating voltage within AC/DC24V~48V means it can operate normally within the voltage range of AC/DC 24V to 48V.

### 3. Technical data

Type	JSS48B
Operating mode	Power on delay
Contact number	Delay 1 changeover
Contact capacity	Ue/Ie:AC-15 220V/0.75A, 380V/0.47A; DC-13 220V/0.27A; Ith:5A
Operating voltage	AC/DC: 24V~48V, 100V~240V, AC220V AC380V 50Hz/60Hz
Timing mode	Reducing timing mode
Electrical Endurance	$1 \times 10^5$
Mechanical Endurance	$1 \times 10^6$
Delay precision	$\pm 0.05\% \pm 50\text{ms}$
Ambient temperature	$-5^\circ\text{C} \sim +40^\circ\text{C}$
Delay range	0.01s~99.99s 1s~99min99s 1min~99h99min
Installation mode	Panel type

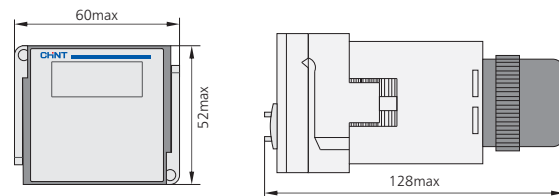
### 4. Wiring diagram

JSS48B Wiring diagram



### 5. Overall and mounting dimensions (mm)

Profile and installation dimension of JSS48B series products



Opening size

